

CAUTION:

Multiple choice test - mark one correct answer for each question on the answer form.

1 Anyone who makes modifications to a technical device without prior approval of the competent technical inspection unit:

- a) is subject to a fine or restriction of liberty
- b) is subject to a penalty notice
- c) not subject to penalty
- d) all answers are incorrect

2 Responsible for ensuring proper operation and maintenance of the technical device is:

- a) operating the technical device
- b) the authority of the competent technical inspection unit
- c) National Labor Inspectorate
- d) UDT inspector

3 Periodic tests of technical equipment are performed by:

- a) a conservator with an appropriate qualification certificate
- b) inspector of the competent technical inspection unit
- c) manufacturer's service employee
- d) an operator

4 Which elements are not included in the hydraulic system of a forklift truck?

- a) pump, hydraulic lock, oil filter
- b) starter, potentiometer, electric motor
- c) pressure gauge, non-return valve, air vent
- d) all answers are incorrect

5 What effect does the installed additional replaceable equipment have on the truck's lifting capacity:

- a) increases the lifting capacity of the trolley
- b) reduces the lifting capacity of the trolley
- c) has no effect
- d) all answers are incorrect

6 After installing the replacement accessories provided by the truck manufacturer:

- a) the device must be submitted for testing at the Office of Technical Inspection
- b) the device can be operated without additional tests at the Office of Technical Inspection
- c) the operator performs overload tests
- d) the operator makes an entry in the maintenance log

7 The tightness of the gas installation is checked using:

- a) gas detector
- b) a special measure
- c) soapy water
- d) all answers are correct

8 Based on the table, determine the maximum load that the rack's load socket can carry:

- a) 1320 kg
- b) 1100 kg
- c) 2700 kg
- d) 2200 kg

Type 2 shelf	MAXIMUM LOADS [kg]		
FRAME TYPE: PLFB 16P	Permissible frame load capacity [kg]	13200	
	a [mm]	650	
	b [mm]	2700	
	c [mm]	550	
	Q_{max} evenly distributed over the level:		
		2200 [kg]	

9 The permissible travel speed of the truck is specified:

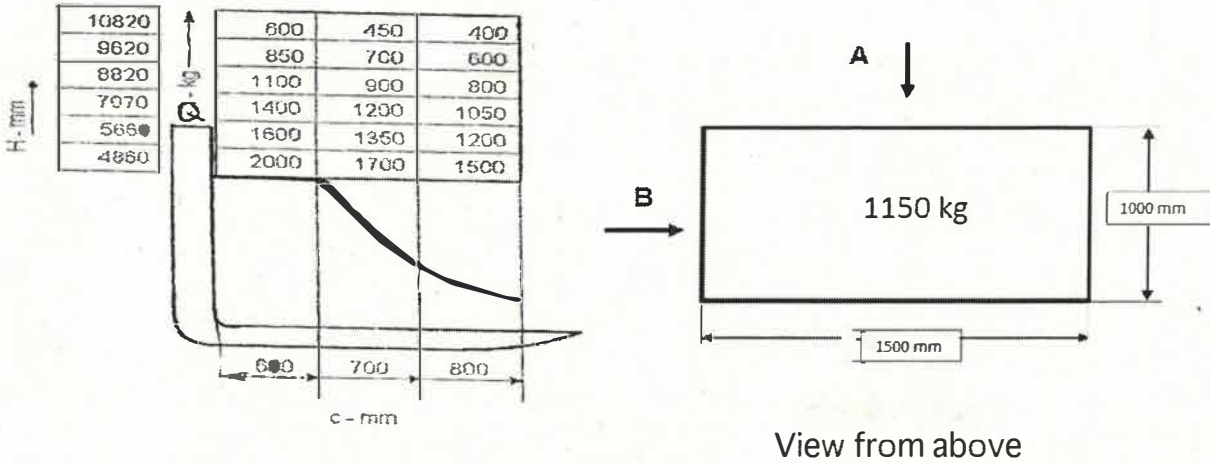
- a) in the Act on technical supervision
- b) in the test report issued by the Office of Technical Inspection
- c) in the decision authorizing operation
- d) all answers are incorrect

10 "STOP" safety switch is used for:

- a) emergency stop of the truck
- b) normal engine stop
- c) protects against starting the trolley by unauthorized persons
- d) all answers are incorrect

11 Based on the presented lifting diagram and drawing, determine the maximum safe lifting height of the load taken from direction B:

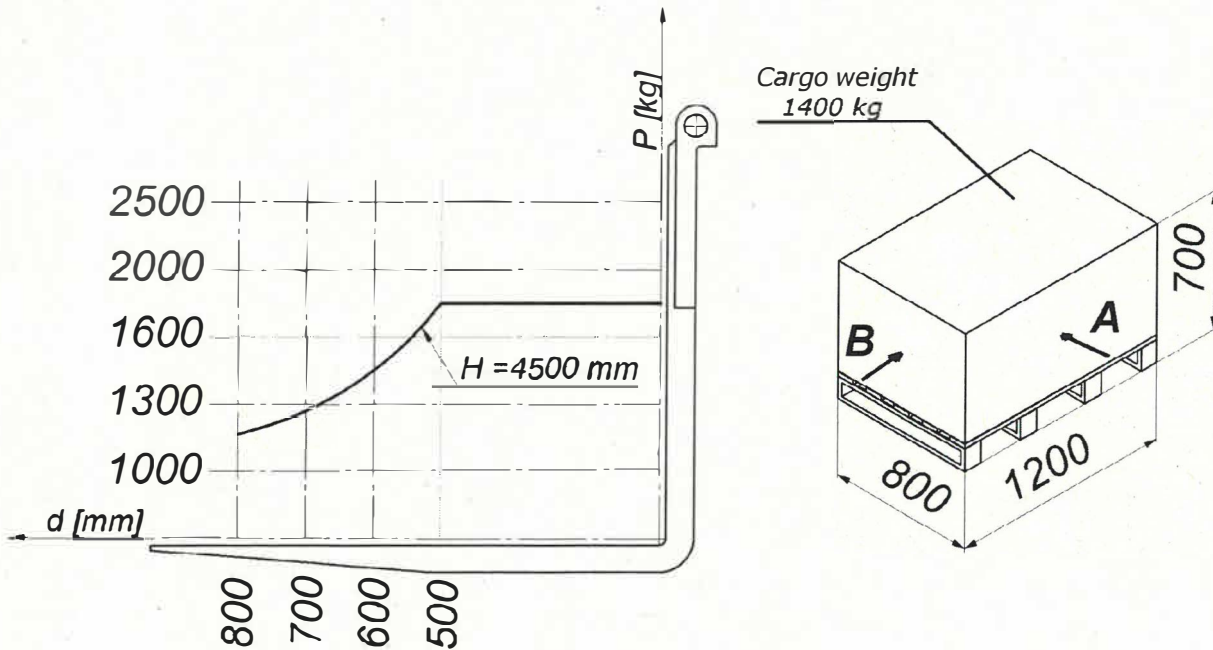
- a) 4860 mm
- b) 5660 mm
- c) 7070 mm
- d) 10820 mm



View from above

12 Based on the presented lifting diagram and drawing, determine the maximum safe lifting height of the load taken from direction A:

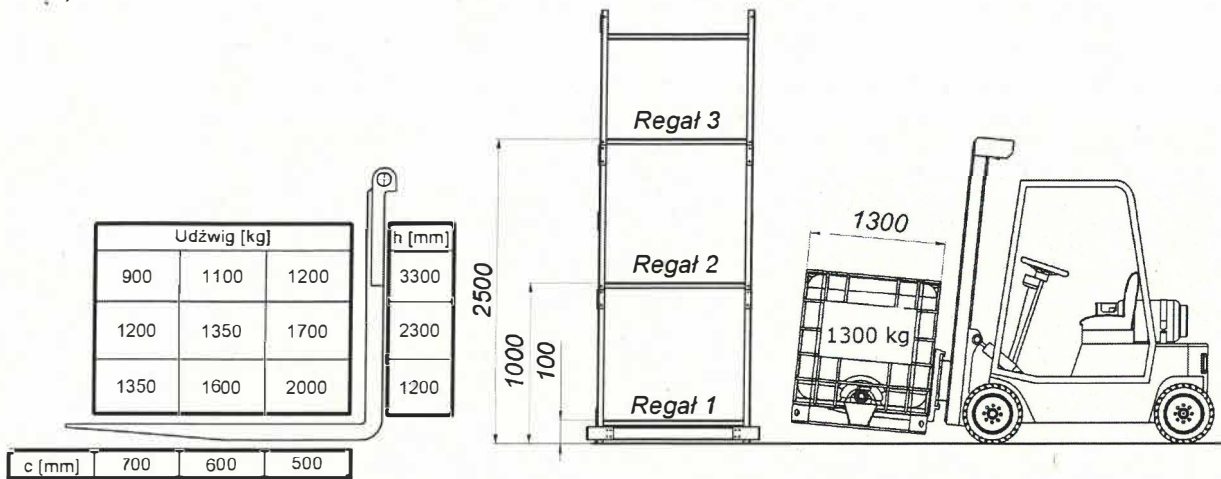
- a) 700 mm
- b) 1200 mm
- c) 4500 mm
- d) 1800 mm



13 Based on the presented capacity diagram and the drawing, indicate which rack or racks the load can be placed on:

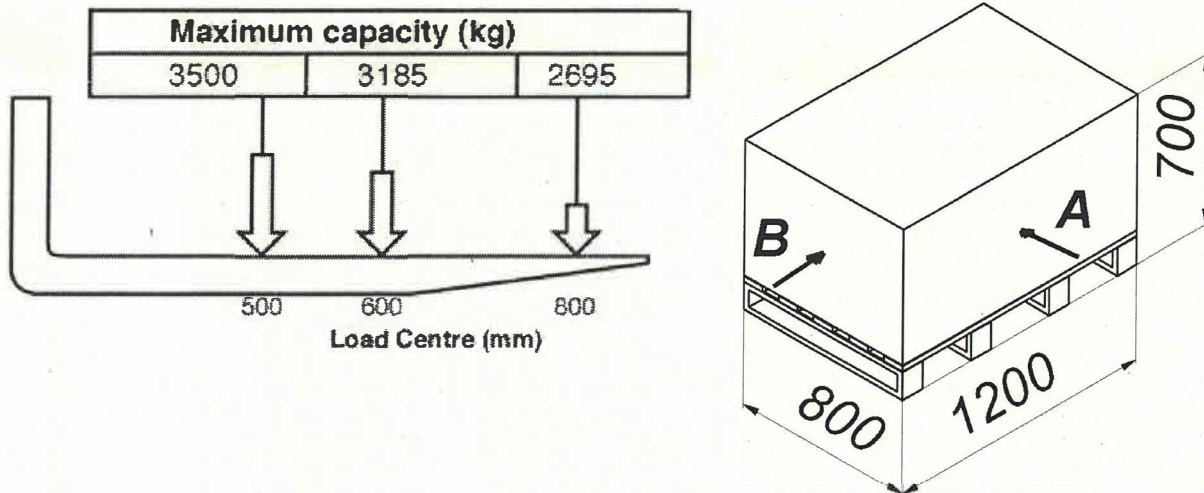
- a) Shelf 1

- b) Shelf 2
- c) Shelf 3
- d) answer a and b is correct



14 Based on the lifting diagram and drawing, determine the maximum load mass that can be safely lifted by taking the load from side B:

- a) 2695 kg
- b) 3500 kg
- c) 3185 kg
- d) all answers are correct



15 Based on the presented capacity diagram, determine the maximum capacity of the trolley lifting the load to a height of 4000 mm:

- a) 3300 kg
- b) 4000 kg
- c) 3400 kg
- d) all answers are correct

wysokość podnoszenia [mm]	5000	3200	2700	2200	1600	1200	700
	4000	3400	2900	2400	1800	1400	900
	3000	3600	3100	2600	2100	1600	1100
	2000	3800	3300	2800	2300	1800	1300
	1000	4000	3500	3000	2500	2000	1500
	500	600	700	800	900	1000	
	odległość środka ciężkości [mm]						

Notes